

150# R.F. FLANGED Y STRAINERS STAINLESS STEEL

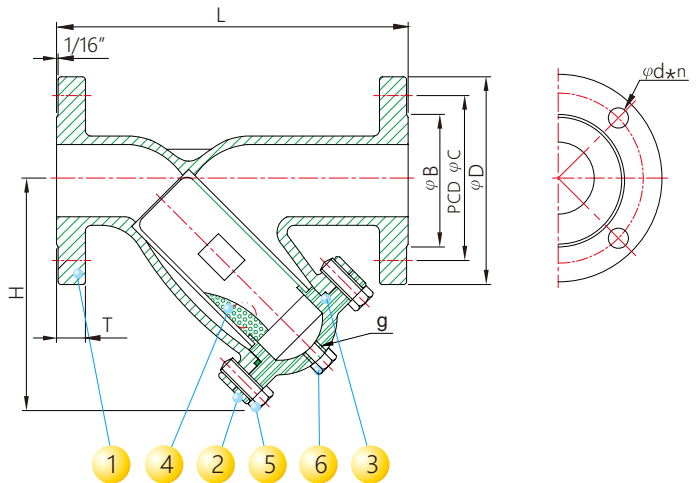


DESIGN FEATURES:

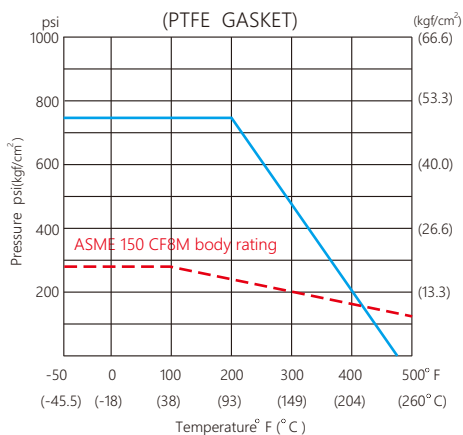
- Body: ASTM A351 Gr.CF8M
- Screen: SS316
- Gasket: PTFE
- Flange Dimensions: ANSI B16.5 150#
- TEST STANDARD: API 598

MATERIALS LIST

NO.	PART NAME	MATERIAL	QTY
1	BODY	ASTM A351 Gr.CF8M	1
2	CAP	ASTM A351 Gr.CF8M	1
3	GASKET	PTFE	1
4	SCREEN	SS316	1
5	BOLT	ASTM A193 B8	4~8
6	BLOW OFF PLUG	ASTM A351 Gr.CF8M	1



PRESSURE TEMPERATURE RATINGS



DIMENSIONS

SIZE	B		C		D		d		H		L		n	T		g	Cv Factor	Weight		
	inch	mm	inch	mm	inch	mm	inch	mm	inch	mm	inch	mm		inch	mm			Kg	Lb	
2"	50	3.62	92	4.74	120.5	5.98	152	0.75	19	5.75	146	8.58	218	4	0.63	15.9	1/2"	97	12	26.5
2 1/2"	80	4.13	105	5.49	139.5	7.00	178	0.75	19	7.09	180	10.28	261	4	0.69	17.5	3/4"	169	17	37.5
3"	80	5.00	127	6.00	152.5	7.48	190	0.75	19	7.87	200	11.61	295	4	0.75	19.1	1"	225	20	44.1
4"	100	6.18	157	7.50	190.5	9.02	229	0.75	19	9.45	240	14.21	361	8	0.94	23.9	1 1/2"	410	34	75.0
6"	150	8.50	216	9.51	241.5	10.98	279	0.87	22	13.39	340	18.46	469	8	1.00	25.4	2"	983	65	143.3

