

# TC-YS VALVE

## 800 WOG Y STRAINER, THREADED, SOCKET-WELD

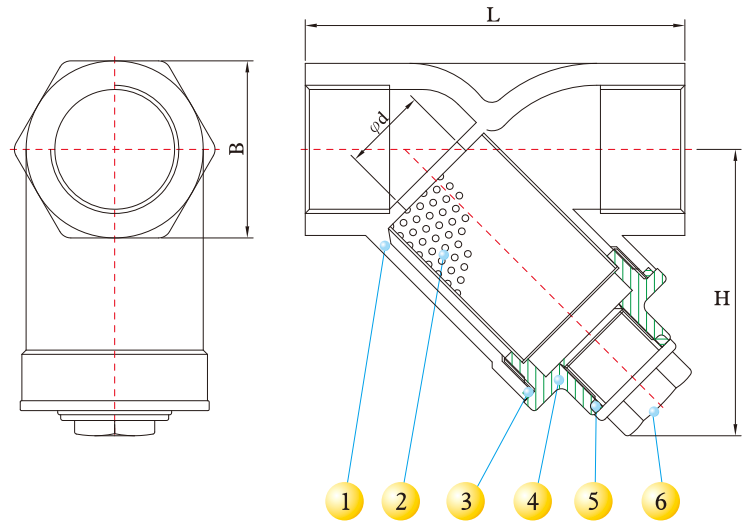


### DESIGN FEATURES:

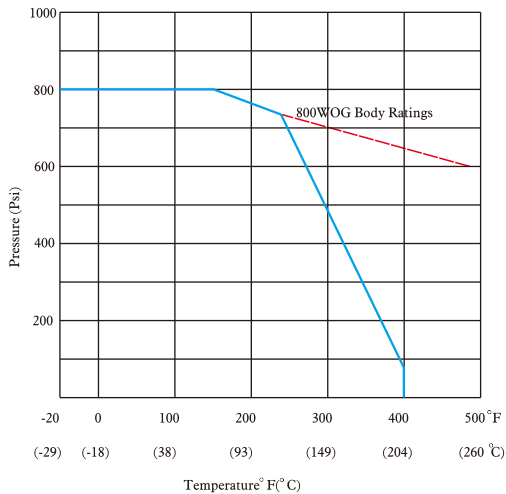
- Body: ASTM A351 Gr.CF8M
- Screen: SS316
- Packing: PTFE
- Working Pressure: 800 psi
- TEST STANDARD: API 598
- End Connections: Threaded End  
Socket-Weld End
- Threaded Type:  
ANSI B1.20.1 (NPT)  
DIN 259 / DIN 2999  
ISO 228  
BSP  
PT

### MATERIALS LIST

NO	PARTS NAME	SPECIFICATION	Q,TY
1	BODY	ASTM A-351 Gr. CF8M	1
2	SCREEN	SS316	1
3	GASKET	PTFE	1
4	BONNET	ASTM A-351 Gr. CF8M	1
5	PLUG GASKET	PTFE	1
6	PLUG	ASTM A-351 Gr. CF8M	1



### PRESSURE TEMPERATURE RATINGS



### DIMENSIONS

SIZE		d		B		H		L		Weight	
inch	mm	inch	mm	inch	mm	inch	mm	inch	mm	Kg	Lb
1/4"	8	0.43	11.0	0.91	23.0	1.81	46	2.56	65	0.24	0.53
3/8"	10	0.51	13.0	0.91	23.0	1.81	46	2.56	65	0.23	0.5
1/2"	15	0.59	15.0	1.02	26.0	1.81	46	2.56	65	0.23	0.5
3/4"	20	0.79	20.0	1.26	32.0	2.17	55	3.15	80	0.36	0.79
1"	25	0.98	25.0	1.61	41.0	2.76	70	3.54	90	0.70	1.54
1-1/4"	32	1.26	32.0	2.01	51.0	2.87	73	4.13	105	0.90	1.98
1-1/2"	40	1.57	40.0	2.24	57.0	3.19	81	4.72	120	1.20	2.64
2"	50	1.97	50.0	2.72	69.0	3.70	94	5.51	140	1.90	4.19
2-1/2"	65	2.56	65.0	3.43	87.0	4.72	120	6.69	170	4.30	9.47
3"	80	3.15	80.0	4.02	102.0	5.51	140	7.87	200	6.30	13.88