

3PC FULL PORT 1000 WOG BALL VALVE

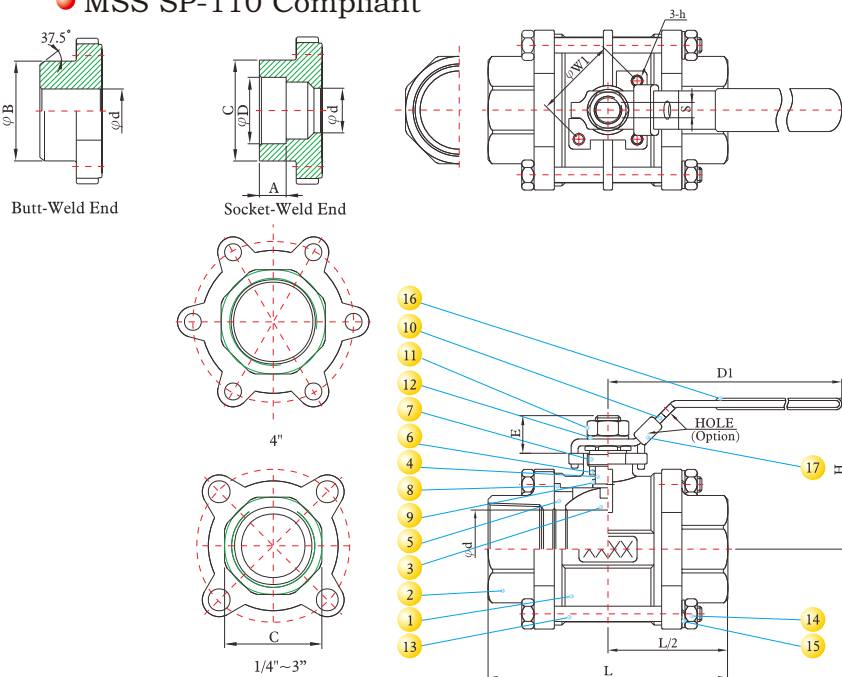
DESIGN FEATURES:

- Steam rating: 150 psi WSP
- Blow-out-proof stem design
- ISO 5211 Mounting pad
- Body: ASTM A351 Gr.CF8M
- Ball: SS316
- Stem: SS 316
- Seat: Reinforced Teflon
- End Connections: Threaded End
Socket Weld End
Butt Weld End
- Working Pressure: 1000 psi
- Temperature Range: -50° to 450° F
- TEST STANDARD: API 598
- Vacuum Service to 29" Hg
- Options: Padlocking device
- NACE MR-0175 FULL COMPLIANCE
- MSS SP-110 Compliant

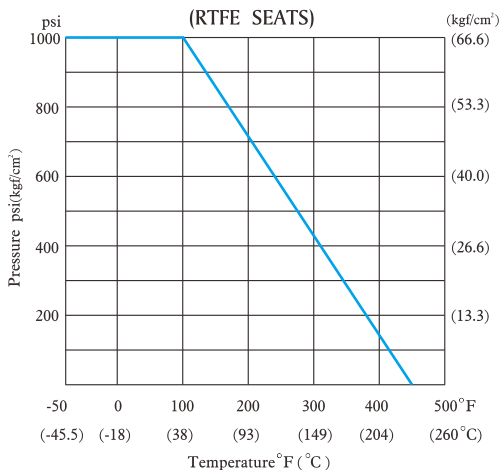


MATERIALS LIST

NO.	PART NAME	MATERIAL	QTY
1	BODY	ASTM A351 Gr.CF8M	1
2	CAP	ASTM A351 Gr.CF8M	2
3	BALL	ASTM A351 Gr.CF8M	1
4	STEM	ASTM A276 Gr.316	1
5	SEAT	PTFE+15% G/F	2
6	PACKING	PTFE	1
7	GLAND	SS304	1
8	END SEALS	PTFE	2
9	THRUST WASHER	PTFE	1
10	HANDLE	SS304	1
11	HANDLE NUT	SS304	1
12	SPRING WASHER	SS304	1
13	BOLTS	ASTM A193 Gr.B8	4~6
14	BOLT NUTS	ASTM A194 Gr.8	4~6
15	BOLT WASHERS	SS304	4~6
16	HANDLE SLEEVE	VINYL GRIP	1
17	LOCKING PLATE	SS304	1



PRESSURE TEMPERATURE RATINGS



DIMENSIONS

SIZE	A		B		C		D		E		d		L		D1		H		S		W1		h	Cv Factor	Weight		
	inch	mm	inch	mm	inch	mm	inch	mm	inch	mm	inch	mm	inch	mm	inch	mm	inch	mm	inch	mm	inch	mm			Rg	Lb	
1/4"	8	0.39	10	0.71	18.1	0.90	22.8	0.56	14.1	0.61	15.5	0.43	11.0	2.56	65	4.06	103	2.13	54	0.21	5.45	1.42	36	M5*P0.8	16	0.48	1.06
3/8"	10	0.39	10	0.71	18.1	0.90	22.8	0.69	17.6	0.61	15.5	0.49	12.5	2.56	65	4.06	103	2.13	54	0.21	5.45	1.42	36	M5*P0.8	16	0.46	1.01
1/2"	15	0.39	10	0.89	22.5	1.06	26.8	0.85	21.7	0.61	15.5	0.59	15.0	2.80	71	4.06	103	2.24	57	0.21	5.45	1.42	36	M5*P0.8	26	0.58	1.28
3/4"	20	0.51	13	1.11	28.3	1.36	34.6	1.07	27.1	0.77	19.5	0.79	20.0	3.35	85	5.00	127	2.64	67.1	0.24	6.2	1.42	36	M5*P0.8	55	0.92	2.02
1"	25	0.51	13	1.38	35.0	1.56	39.5	1.33	33.8	0.77	19.5	1.00	25.4	3.74	95	5.00	127	2.76	70.0	0.24	6.2	1.42	36	M5*P0.8	110	1.19	2.62
1 1/4"	32	0.51	13	1.74	44.1	1.93	49.0	1.68	42.6	1.00	25.5	1.26	32.0	4.37	111	6.02	153	3.59	91.1	0.37	9.4	1.97	50	M6*P1.0	180	2.07	4.56
1 1/2"	40	0.51	13	1.97	50.0	2.20	55.8	1.92	48.7	1.04	26.5	1.57	40.0	4.76	121	6.02	153	3.74	95.1	0.37	9.4	1.97	50	M6*P1.0	270	2.75	6.06
2"	50	0.63	16	2.38	60.5	2.68	68.0	2.41	61.1	1.00	25.5	2.00	50.8	5.51	140	7.60	193	4.02	102.0	0.37	9.4	1.97	50	M6*P1.0	500	4.07	8.96
2 1/2"	65	0.63	16	3.06	77.8	3.46	88.0	2.91	73.8	1.56	39.5	2.56	65.0	6.81	173	10.98	279	4.76	120.8	0.47	12.0	2.76	70	M8*P1.25	800	8.12	17.89
3"	80	0.63	16	3.51	89.1	4.13	105.0	3.54	89.8	1.48	37.5	3.15	80.0	7.56	192	10.98	279	5.08	129.0	0.47	12.0	4.02	102	M10*P1.5	1150	12.71	28.03
4"	100	0.75	19	4.50	114.3	5.10	129.5	4.55	115.5	1.95	49.5	3.94	100.0	8.86	225	13.19	335	6.84	173.7	0.63	16.0	4.02	102	M10*P1.5	2120	21.12	46.52