

TC-8000 VALVE

2PC FULL PORT BRONZE 600/400 WOG BALL VALVE, THREADED (with ISO 5211 direct mount pad)

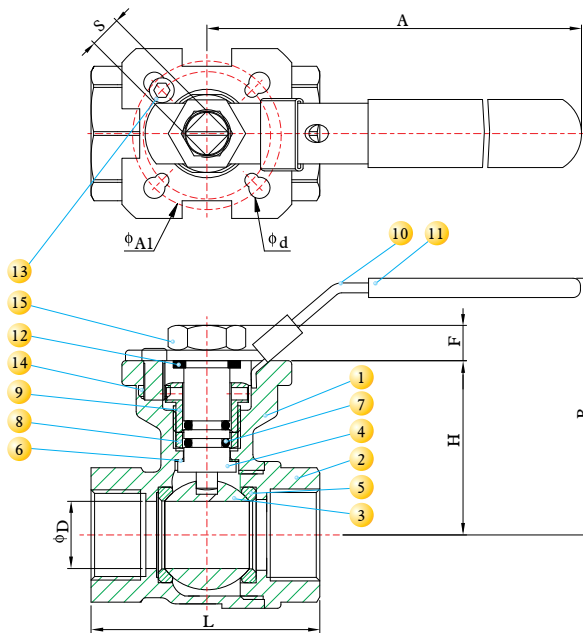


DESIGN FEATURES:

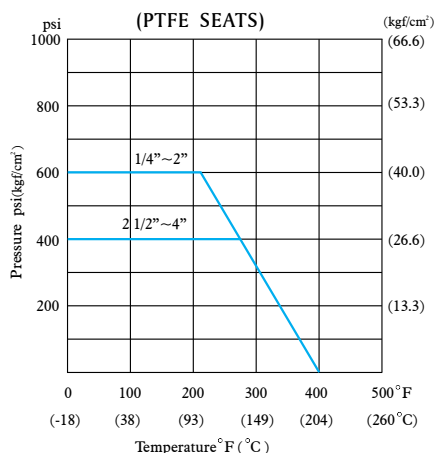
- Steam rating: 150 psi WSP
- WORKING PRESSURE: 1/4"~2" : 600 PSI
2 1/2"~4" : 400 PSI
- STEM & BALL: 1/4"~2": Brass
2 1/4"~ 4": Stainless Steel
- FULL ISO-5211 PAD FOR DIRECT MOUNT AUTOMATION
- TFE® SEATS AND SEALS
- VITON® BODY O-RINGS
- TRIPLE STEM SEAL DESIGN
- BLOW-OUT PROOF STEM
- ADJUSTABLE STEAM PACKING
- TEMPERATURE RATING: -18°C (0°F) TO 204°C (400°F)
- Vacuum Service to 29" Hg

MATERIALS LIST

NO.	PART NAME	MATERIAL	QTY
1	BODY	BRONZE C84400	1
2	CAP	BRONZE C84400	1
3	BALL	BRASS(1/4"~2")-CHROME PLATED C36000 CF8(2-1/2"~4")	1
4	STEM	BRASS C36000 (1/4"~2") SS304(2-1/2"~4")	1
5	SEAT	PTFE	2
6	THRUST WASHER	PTFE	1
7	O-RING	VITON	2
8	GLAND PACKING	PTFE	1
9	GLAND	BRASS C36000	1
10	HANDLE	STEEL	1
11	HANDLE COVER	PVC	1
12	HANDLE NUT	STEEL	1
13	PIN	BRASS C36000	1
14	LOCK NUT	BRASS C36000	1
15	WASHER	SS304	1



PRESSURE TEMPERATURE RATINGS



DIMENSIONS

SIZE	A		B		D		L		F		H		S		d		A1		ISO 5211	Cv Factor	Weight		
	inch	mm	inch	mm	inch	mm	inch	mm	inch	mm	inch	mm	inch	mm	inch	mm	kg	lb					
1/4"	8	4.37	111	2.98	75.8	0.39	10.0	2.50	63.5	0.37	9.5	1.60	40.5	0.35	9	0.24	6.0	1.42 / 1.65	36 / 42	F03 / F04	7	0.53	1.17
3/8"	10	4.37	111	2.98	75.8	0.39	10.0	2.50	63.5	0.37	9.5	1.60	40.5	0.35	9	0.24	6.0	1.42 / 1.65	36 / 42	F03 / F04	7	0.51	1.12
1/2"	15	4.37	111	2.98	75.8	0.59	15.0	2.50	63.5	0.37	9.5	1.60	40.5	0.35	9	0.24	6.0	1.42 / 1.65	36 / 42	F03 / F04	21	0.50	1.10
3/4"	20	4.37	111	3.08	78.3	0.75	19.0	2.70	68.6	0.43	11.0	1.88	47.7	0.35	9	0.24	6.0	1.42 / 1.65	36 / 42	F03 / F04	33	0.61	1.34
1"	25	5.00	127	3.38	85.8	0.98	25.0	3.23	82.0	0.39	10.0	2.03	51.5	0.43	11	0.240.26	6/6.5	1.65 / 1.97	42 / 50	F04 / F05	55	0.92	2.03
1 1/4"	32	5.00	127	3.54	90.0	1.26	32.0	3.68	93.5	0.39	10.0	2.24	57.0	0.43	11	0.240.26	6/6.5	1.65 / 1.97	42 / 50	F04 / F05	90	1.20	2.64
1 1/2"	40	5.87	149	4.15	105.3	1.50	38.0	3.96	100.5	0.57	14.5	2.83	72.0	0.55	14	0.260.33	6.5/8.5	1.97 / 2.76	50 / 70	F05 / F07	150	2.02	4.45
2"	50	5.87	149	4.88	124.0	1.97	50.0	4.53	115.0	0.57	14.5	3.23	82.0	0.55	14	0.260.33	6.5/8.5	1.97 / 2.76	50 / 70	F05 / F07	215	3.00	6.61
2 1/2"	65	7.09	180	5.51	140.0	2.52	64.0	6.10	155.0	0.67	17.0	3.94	100.0	0.67	17	0.35	9.0	2.76	70	F07	800	6.60	14.54
3"	80	7.09	180	5.87	149.0	3.00	76.0	6.89	175.0	0.67	17.0	4.30	109.0	0.67	17	0.35	9.0	2.76	70	F07	1150	9.00	19.82
4"	100	7.09	180	6.52	165.5	3.74	95.0	8.07	205.0	0.67	17.0	4.94	125.5	0.67	17	0.35	9.0	2.76	70	F07	2120	16.50	36.34

