

# TC-0612, TC-0612C VALVE

## 2PC STANDARD PORT 2000 WOG BALL VALVE, THREADED

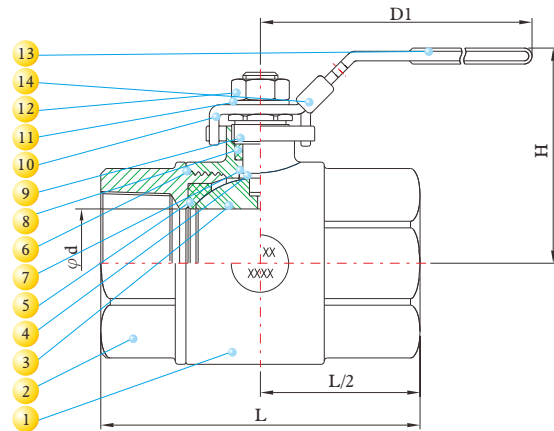
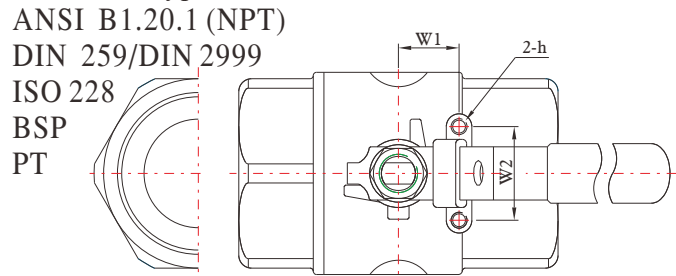


### DESIGN FEATURES:

- Steam rating: 150 psi WSP
- Blow-out-proof stem design
- Body: ASTM A351 Gr.CF8M / ASTM A216 Gr. WCB
- Ball: SS316
- Stem: SS316
- Seat: Reinforced Teflon
- End Connections: Threaded End
- Working Pressure: 2000 psi
- Temperature Range: -50° to 450° F
- Padlocking device
- Tapping for Actuator
- TEST STANDARD: API 598
- Vacuum Service to 29" Hg
- NACE MR-0175 full compliance
- Threaded Type:

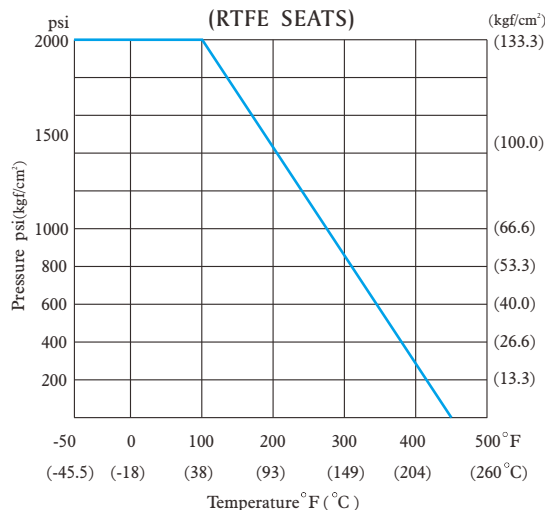
### MATERIALS LIST

NO.	PART NAME	MATERIAL		QTY
		STAINLESS STEEL	CARBON STEEL	
1	BODY	ASTM A351 Gr.CF8M	ASTM A216 WCB	1
2	CAP	ASTM A351 Gr.CF8M	ASTM A216 WCB	1
3	BALL	ASTM A351 Gr.CF8M	ASTM A351 Gr.CF8M	1
4	STEM	ASTM A276 Gr.316	ASTM A276 Gr.316	1
5	SEAT	PTFE+15% G/F	PTFE+15% G/F	2
6	GASKET	PTFE	PTFE	1
7	THRUST WASHER	PTFE	PTFE	1
8	PACKING	PTFE	PTFE	1
9	GLAND	SS304	SS304	1
10	HANDLE	SS304	SS304	1
11	SPRING WASHER	SS304	SS304	1
12	HANDLE SLEEVE	VINYL GRIP	VINYL GRIP	1
13	LOCKING PLATE	SS304	SS304	1



### DIMENSIONS

### PRESSURE TEMPERATURE RATINGS



SIZE	d		L		H		D1		W1		W2		h (Option)	Cv Factor	Weight	
	inch	mm	inch	mm	inch	mm	inch	mm	inch	mm	inch	mm			Kg	Lb
1/4"	0.44	11.3	2.23	56.75	1.64	41.73	4.06	103	0.50	12.7	1.12	28.5	M5*p0.8	6	0.35	0.77
3/8"	0.49	12.5	2.23	56.75	1.64	41.73	4.06	103	0.50	12.7	1.12	28.5	M5*p0.8	9	0.35	0.77
1/2"	0.49	12.5	2.35	59.75	1.64	41.73	4.06	103	0.50	12.7	1.12	28.5	M5*p0.8	9	0.32	0.70
3/4"	0.69	17.5	3.18	80.70	1.93	48.95	5.00	127	0.88	22.4	1.38	35.0	M6*p1.0	27	0.65	1.43
1"	0.89	22.5	3.44	87.50	3.00	76.20	5.00	127	0.88	22.4	1.38	35.0	M6*p1.0	35	0.75	1.65

