

# TC-0612M, TC-0612MC VALVE

## 2PC STANDARD PORT 2000 WOG BALL VALVE, THREADED

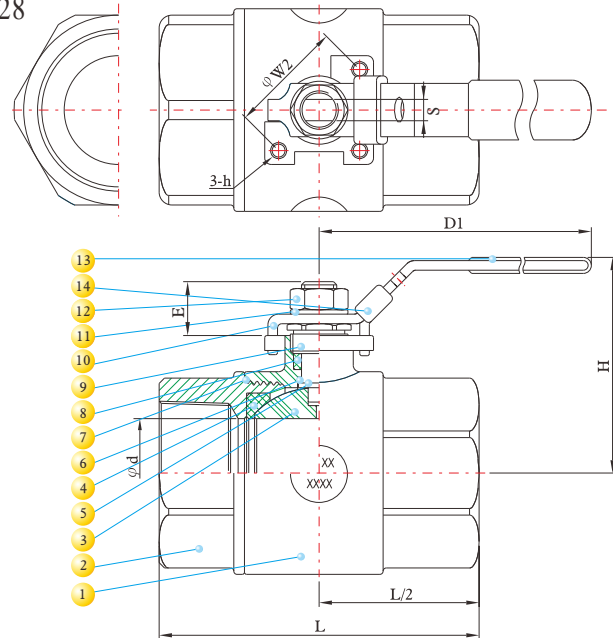


### DESIGN FEATURES:

- Steam rating: 150 psi WSP
- Blow-out-proof stem design
- ISO 5211 Mounting Pad
- Body: ASTM A351 Gr.CF8M / ASTM A216 Gr. WCB
- Ball: SS316
- Stem: SS316
- Seat: Reinforced Teflon
- End Connections: Threaded End
- Working Pressure: 1/4"~1" 2000 psi  
1 1/4"~3" 1500 psi
- Temperature Range: -50° to 450° F
- Padlocking device
- TEST STANDARD: API 598
- Vacuum Service to 29" Hg
- NACE MR-0175 full compliance
- Threaded Type:  
ANSI B1.20.1 (NPT)  
DIN 259/DIN 2999  
ISO 228  
BSP  
PT

### MATERIALS LIST

NO.	PART NAME	MATERIAL		QTY
		STAINLESS STEEL	CARBON STEEL	
1	BODY	ASTM A351 Gr.CF8M	ASTM A216 WCB	1
2	CAP	ASTM A351 Gr.CF8M	ASTM A216 WCB	1
3	BALL	ASTM A351 Gr.CF8M	ASTM A351 Gr.CF8M	1
4	STEM	ASTM A276 Gr.316	ASTM A276 Gr.316	1
5	SEAT	PTFE+15% G/F	PTFE+15% G/F	2
6	GASKET	PTFE	PTFE	1
7	THRUST WASHER	PTFE	PTFE	1
8	PACKING	PTFE	PTFE	1
9	GLAND	SS304	SS304	1
10	HANDLE	SS304	SS304	1
11	SPRING WASHER	SS304	SS304	1
12	HANDLE SLEEVE	VINYL GRIP	VINYL GRIP	1
13	LOCKING PLATE	SS304	SS304	1



### DIMENSIONS

SIZE		d	E	L	H	S	D1	W2	h	Cv	Weight								
inch	Mm	inch	mm	inch	mm	inch	mm	inch	mm	(Option) Factor	Kg	Lb							
1/4"	8	0.44	11.3	0.59	15.0	2.23	56.75	1.64	41.73	0.21	5.45	4.06	103	1.42	36	M5*p0.8	6	0.35	0.77
3/8"	10	0.49	12.5	0.59	15.0	2.23	56.75	1.64	41.73	0.21	5.45	4.06	103	1.42	36	M5*p0.8	9	0.35	0.77
1/2"	15	0.49	12.5	0.59	15.0	2.35	59.75	1.64	41.73	0.21	5.45	4.06	103	1.42	36	M5*p0.8	9	0.32	0.71
3/4"	20	0.69	17.5	0.80	20.3	3.18	80.70	1.93	48.95	0.24	6.20	5.00	127	1.42	36	M5*p0.8	27	0.65	1.43
1"	25	0.89	22.5	0.73	18.5	3.44	87.50	2.06	52.25	0.24	6.20	5.00	127	1.42	36	M5*p0.8	35	0.75	1.65
1 1/4"	32	1.00	25.4	1.15	29.3	4.09	103.80	2.45	62.34	0.37	9.40	6.02	153	1.97	50	M6*p1.0	41	1.50	3.31
1 1/2"	40	1.26	32.0	1.09	27.7	4.45	113.00	2.67	67.74	0.37	9.40	6.02	153	1.97	50	M6*p1.0	75	1.80	3.96
2"	50	1.50	38.0	1.11	28.1	5.38	136.62	2.79	70.98	0.37	9.40	7.60	193	1.97	50	M6*p1.0	115	2.80	6.17
2 1/2"	65	2.00	51.0	1.17	29.7	5.91	150.00	3.16	80.28	0.37	9.40	7.60	193	1.97	50	M6*p1.0	200	4.34	9.56
3"	80	2.56	65.0	1.02	25.8	6.85	174.00	3.71	94.28	0.37	9.40	10.98	279	1.97	50	M6*p1.0	352	6.85	15.09

### PRESSURE TEMPERATURE RATINGS

