

1PC REDUCED PORT 1000 WOG BALL VALVE, THREADED

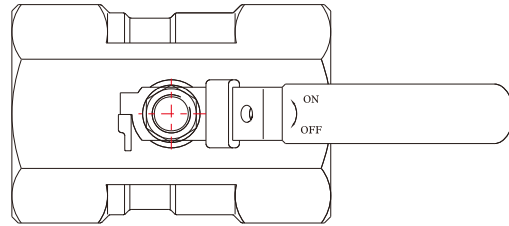


DESIGN FEATURES:

- Steam rating:125 psi WSP
- Blow-out-proof stem design
- Padlocking device
- Body: ASTM A351 Gr.CF8M
- Stem: SS316
- Seat: PTFE
- End Connections: Threaded End
- Working Pressure: 1000 psi
- Temperature Range: -50° to 400° F
- TEST STANDARD:API 598
- Vacuum Service to 29" Hg
- NACE MR-0175 FULL COMPLIANCE
- MSS SP-110 Compliant
- Threaded Type:

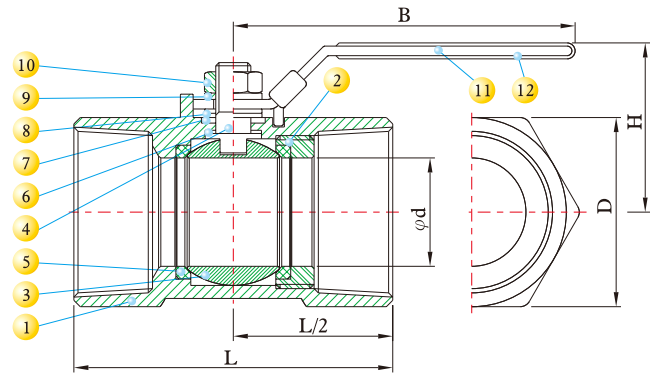


ANSI B1.20.1 (NPT)
 DIN 259/DIN 2999
 ISO 228
 BSP
 PT

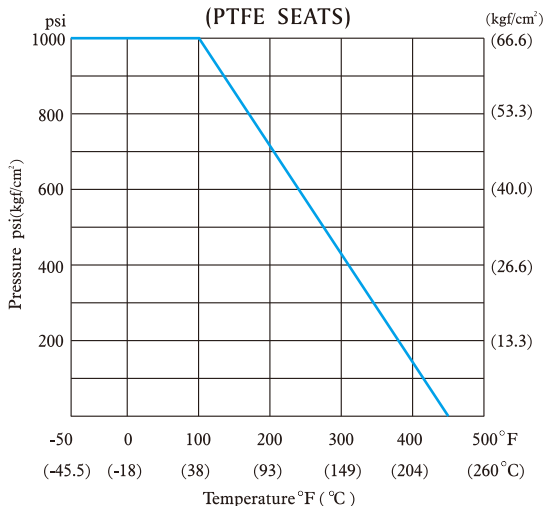


MATERIALS LIST

| NO. | PART NAME | MATERIAL | Q'TY |
|-----|---------------|-------------------|------|
| 1 | BODY | ASTM A351 Gr.CF8M | 1 |
| 2 | CAP | ASTM A351 Gr.CF8M | 1 |
| 3 | BALL | ASTM A351 Gr.CF8M | 1 |
| 4 | STEM | ASTM A276 Gr.316 | 1 |
| 5 | SEAT | PTFE | 2 |
| 6 | THRUST WASHER | PTFE | 1 |
| 7 | PACKING | PTFE | 1 |
| 8 | WASHER | SS304 | 2 |
| 9 | SPRING WASHER | SS304 | 1 |
| 10 | HANDLE NUT | SS304 | 1 |
| 11 | HANDLE | SS304 | 1 |
| 12 | HANDLE SLEEVE | VINYL GRIP | 1 |
| 13 | LOCKING PLATE | SS304 | 1 |



PRESSURE TEMPERATURE RATINGS



DIMENSIONS

| SIZE | | d | | B | | D | | L | | H | | Cv Factor | Weight | |
|--------|----|------|------|------|-----|------|------|------|-------|------|----|-----------|--------|------|
| inch | mm | inch | mm | inch | mm | inch | mm | inch | mm | inch | mm | | Kg | Lb |
| 1/4" | 8 | 0.20 | 5.0 | 2.36 | 60 | 0.67 | 17.0 | 1.54 | 39.0 | 1.22 | 31 | 1 | 0.08 | 0.18 |
| 3/8" | 10 | 0.28 | 7.0 | 2.76 | 70 | 0.83 | 21.0 | 1.73 | 44.0 | 1.38 | 35 | 2 | 0.11 | 0.24 |
| 1/2" | 15 | 0.36 | 9.2 | 3.39 | 86 | 0.98 | 25.0 | 2.22 | 56.0 | 1.69 | 43 | 4 | 0.17 | 0.38 |
| 3/4" | 20 | 0.49 | 12.5 | 3.39 | 86 | 1.26 | 32.0 | 2.32 | 59.0 | 1.81 | 46 | 7 | 0.25 | 0.55 |
| 1" | 25 | 0.63 | 16.0 | 4.09 | 104 | 1.50 | 38.0 | 2.80 | 71.0 | 1.97 | 50 | 10 | 0.45 | 0.99 |
| 1 1/4" | 32 | 0.79 | 20.0 | 4.09 | 104 | 1.93 | 49.0 | 3.11 | 79.0 | 2.13 | 54 | 17 | 0.74 | 1.63 |
| 1 1/2" | 40 | 0.96 | 24.5 | 4.96 | 126 | 2.09 | 53.0 | 3.27 | 83.0 | 2.56 | 65 | 26 | 0.83 | 1.83 |
| 2" | 50 | 1.26 | 32.0 | 5.50 | 140 | 2.56 | 65.0 | 3.94 | 100.0 | 2.83 | 72 | 45 | 1.25 | 2.75 |