

TC-9000 VALVE

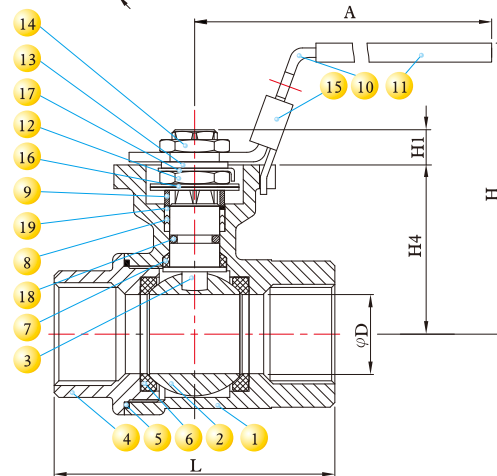
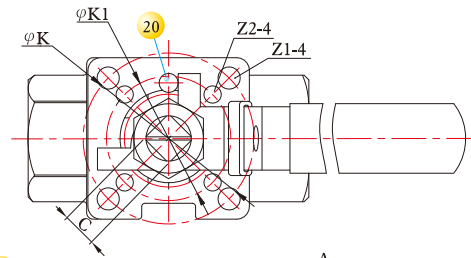
2PC FULL PORT 1000 WOG BALL VALVE, THREADED(WITH ISO 5211 DIRECT MOUNT PAD)

DESIGN FEATURES:

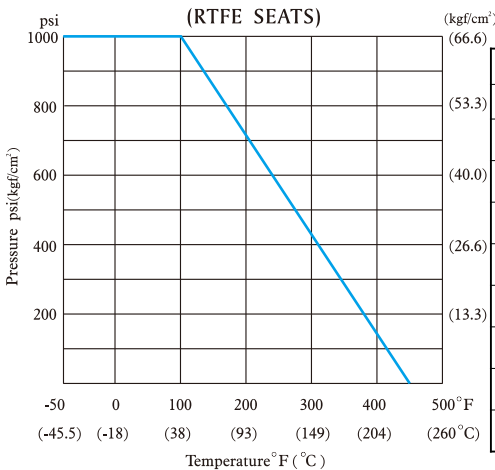
- Steam rating: 150 psi WSP
- WORKING PRESSURE : 1000 PSI
- INVESTMENT CASTING BODY & CAP
- BLOW - OUT- PROOF STEM
- ADJUSTABLE STEM PACKING
- HANDLE WITH LOCKING DEVICE
- FULL ISO-5211 PAD FOR DIRECT MOUNT AUTOMATION
- TEST STANDARD:API 598
- Vacuum Service to 29" Hg
- TEMPERATURE RATING : -45.5°C (-50°F) to 232°C (450°F)
- MSS SP-110 Compliant



NO.	PART NAME	MATERIAL	QTY
1	BODY	ASTM A351 Gr.CF8M	1
2	BALL	ASTM A351 Gr.CF8M	1
3	STEM	SS316	1
4	END CAP	ASTM A351 Gr.CF8M	1
5	BODY SEAL	PTFE	1
6	SEAT	PTFE+15%G.F.	2
7	THRUST WASHER	PTFE+15%G.F.	1
8	STEM PACKING	PTFE+15%G.F.	1
9	GLAND BUSH	SS304	1
10	HANDLE	SS304	1
11	HANDLE COVER	PLASTIC	1
12	STEM NUT	SS304	1
13	HANDLE WASHER	SS304	1
14	HANDLE NUT	SS304	1
15	LOCKING DEVICE	SS304(OPTION)	1
16	BELLEVILLE WASHER	SUS304-CSP	1
17	TAB WASHER	SS304	1
18	STEM O-RING	VITON	1
19	PACKING FOLLOWER	PTFE+25%G.F.	1
20	STOP PIN	SS304	1



PRESSURE TEMPERATURE RATINGS



DIMENSIONS

SIZE	d		L		E		H		H1		H4		C		K		K1		4-Z1		4-Z2		CV Factor	Weight		
	inch	mm	inch	mm	inch	mm	inch	mm	inch	mm	inch	mm	inch	mm	inch	mm	inch	mm	inch	mm	inch	mm		Kg	Lb	
1/4"	8	0.45	11.5	2.57	65.3	4.40	112	2.87	72.9	0.33	8.5	1.45	37	0.35	9	1.96	50	1.41	36	0.27	7	0.23	6	21	0.46	1.01
3/8"	10	0.49	12.5	2.57	65.3	4.40	112	2.87	72.9	0.33	8.5	1.45	37	0.35	9	1.96	50	1.41	36	0.27	7	0.23	6	33	0.46	1.01
1/2"	15	0.59	15.0	2.57	65.3	4.40	112	2.87	72.9	0.33	8.5	1.45	37	0.35	9	1.96	50	1.41	36	0.27	7	0.23	6	21	0.44	0.97
3/4"	20	0.78	20.0	3.04	77.3	4.40	112	3.22	81.8	0.33	8.5	1.77	45	0.35	9	1.96	50	1.41	36	0.27	7	0.23	6	33	0.81	1.78
1"	25	0.98	25.0	3.49	88.7	5.35	136	3.56	90.5	0.37	9.5	2.10	53	0.35	9	1.96	50	1.41	36	0.27	7	0.23	6	55	0.96	2.11
1-1/4"	32	1.25	32.0	4.03	102.4	7.28	185	35.74	90.8	0.37	9.5	2.32	59	0.35	9	1.96	50	1.41	36	0.27	7	0.23	6	90	1.56	3.65
1-1/2"	40	1.49	38.0	4.29	109.0	7.79	197.9	4.51	114.7	0.55	14	2.94	74	0.55	14	2.75	70	1.96	50	0.35	9	0.27	7	150	2.3	5.06
2"	50	1.96	50.0	4.93	125.3	7.79	197.9	4.88	124	0.53	13	3.28	83.5	0.55	14	2.75	70	1.96	50	0.35	9	0.27	7	215	3.2	7.04