

TC-0712C VALVE

2PC STANDARD PORT 2000 WOG 250 PSI WSP BALL VALVE

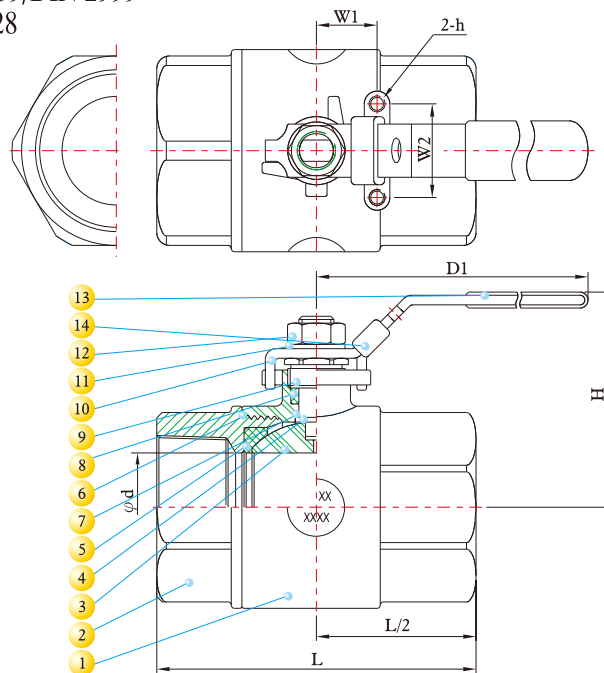


DESIGN FEATURES:

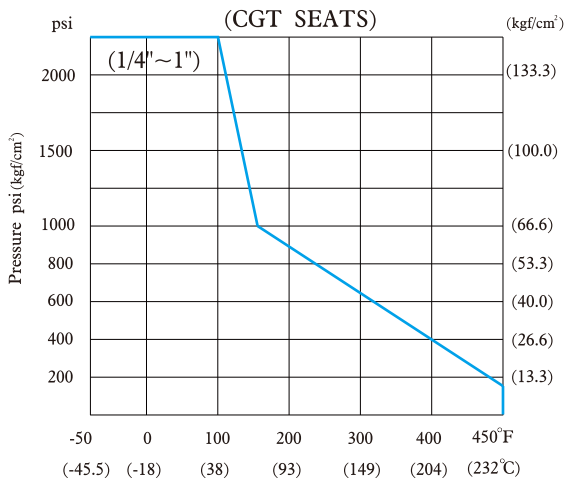
- Steam rating: **250 psi WSP**
- Blow-out-proof stem design
- Body: ASTM A216 Gr. WCB
- Ball: SS316
- Stem: SS316
- Seals: CGT (CARBON and GRAPHITE Reinforced PTFE Seats, seals and Packings)
- End Connections: Threaded End
- Working Pressure: 2000 psi
- Temperature Range: -50° to 500° F
- Padlocking device
- TEST STANDARD: API 598
- Vacuum Service to 29" Hg
- NACE MR-0175 FULL COMPLIANCE
- MSS SP-110 Compliant
- Threaded Type:
 - ANSI B1.20.1 (NPT)
 - DIN 259/DIN 2999
 - ISO 228
 - BSP
 - PT

MATERIALS LIST

NO.	PART NAME	MATERIAL		QTY
		CARBON	STEEL	
1	BODY	ASTM A216	WCB	1
2	CAP	ASTM A216	WCB	1
3	BALL	ASTM A351	Gr.CF8M	1
4	STEM	ASTM A276	Gr.316	1
5	SEAT	CGT		2
6	GASKET	CGT		1
7	THRUST WASHER	CGT		1
8	PACKING	CGT		1
9	GLAND	SS304		1
10	HANDLE	SS304		1
11	SPRING WASHER	SS304		1
12	HANDLE SLEEVE	VINYL GRIP		1
13	LOCKING PLATE	SS304		1



PRESSURE TEMPERATURE RATINGS



DIMENSIONS

SIZE	d		L		H		D1		W1		W2		h	Cv	Weight		
	inch	mm	inch	mm	inch	mm	inch	mm	inch	mm	inch	mm			Factor	Kg	Lb
1/4"	8	0.44	11.3	2.23	56.75	1.64	41.73	4.06	103	0.50	12.7	1.12	28.5	M5*p0.8	6	0.35	0.77
3/8"	10	0.49	12.5	2.23	56.75	1.64	41.73	4.06	103	0.50	12.7	1.12	28.5	M5*p0.8	9	0.35	0.77
1/2"	15	0.49	12.5	2.35	59.75	1.64	41.73	4.06	103	0.50	12.7	1.12	28.5	M5*p0.8	9	0.32	0.70
3/4"	20	0.69	17.5	3.18	80.70	1.93	48.95	5.00	127	0.88	22.4	1.38	35.0	M6*p1.0	27	0.65	1.43
1"	25	0.89	22.5	3.44	87.50	3.00	76.20	5.00	127	0.88	22.4	1.38	35.0	M6*p1.0	35	0.75	1.65

